



Welcome

Archon Speed Wireless Bike Meter enhances your fun of cycling, through recording your cycling activities, setting of daily targets and sharing your records with friends and creating competitions with your friends.

Archon Speed Wireless Bike Meter can synchronize wirelessly with your mobile phone. Compatible with Android (4.3 or above) IOS 6.X, 7.x system iPhone 4S or above.

Package includes:

Speed Wireless Bike Meter Sensor x 1

Wheel Magnet x 1

Crank Magnet x 1

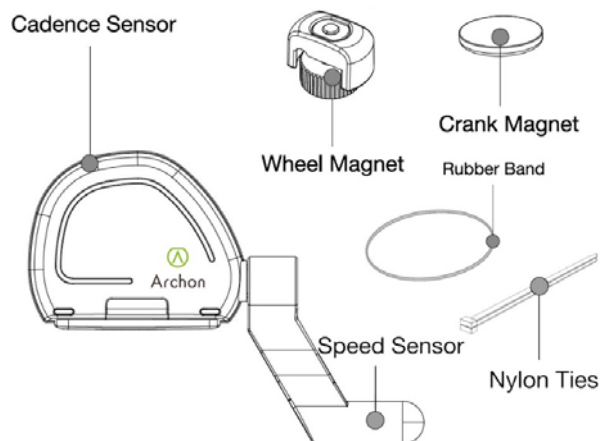
Nylon Ties x 2

Rubber Band x 1

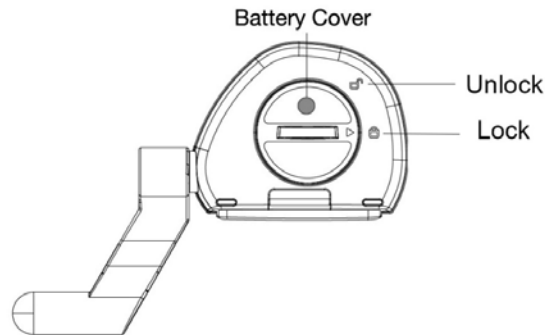
CR2032 Battery x 1

User Manual

1. Knowing your Archon Speed



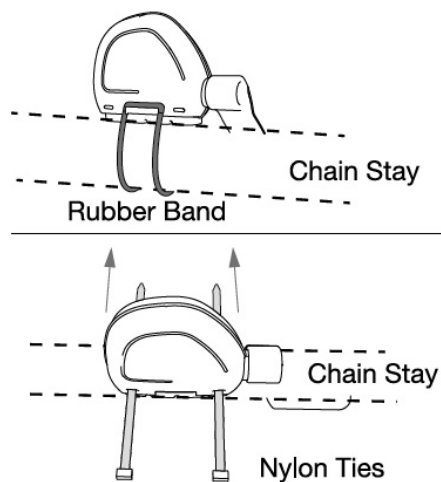
1.1 Battery Installation and Replacement



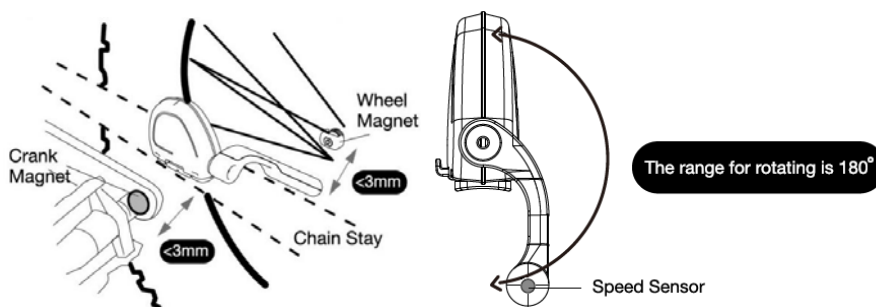
- Use a coin to turn the battery compartment cover counter-clockwise to unlock position.
- Insert a new CR2032 battery.
- Turn the battery compartment cover clockwise to the locked position.
- Make sure that the cover is securely closed to prevent moisture from entering the battery compartment.

1.2 Sensor and Magnet Installation

- Position sensor to the rear chain-stay with a rubber band. Use two cable ties to loosely attach the sensor (do not fully tighten).



- Attach the crank magnet on the crank and wheel magnet on spoke. Use a screw driver to adjust the speed sensor position. Make sure the gap between both sensors and magnets is less than 3 mm.



- Tighten both cable ties once setup is complete.

2. Setup Procedure

2.1 Download Archon App

Download Archon App directly from Archon website, Apple Store or Google Play.

www.archon.com.hk

Apple store



Google Play



2.2 Pairing

- Start Archon App on your mobile phone. Scroll through the instruction pages and go to the Add Device menu.
- Select Archon Speed in the Archon App.
- Pedal to activate the sensor and pair the Archon Speed with your mobile phone.

3. Mobile Setting with the Archon Speed

- In the Archon App, go to settings and input the wheel size of your bike.
- You can monitor the speed your bicycle is traveling and the speed at which you are pedaling via your mobile phone.

4. Safety and Care

- Make sure your Archon Speed does not disturb pedaling or using brakes or gears.
- If feeling unwell during cycling, stop immediately and seek medical assistance or professional help.
- While riding your bike, keep your eyes on the road to prevent possible accidents or injury.
- Do not use the device in extreme temperatures. Please don't expose the device to strong sunlight or heavily humid environments. Suitable temperature for the device and accessories is -10°C to 50°C.
- Archon Speed is not a toy. Keep out of the reach of children.
- Keep batteries and magnets out of reach of children.
- Keep the Archon Speed away from fire or any objects that may cause damage or scratching.
- Please do not attempt to repair, modify or disassemble the Archon Speed.
- Do not drop the Archon Speed or subject it to severe shock.
- Clean the Archon Speed by using a cloth dampened with a mild detergent solution and wipe it dry. Never use alcohol, cleaning chemicals and any abrasive material. Do not immerse in water.
- This device complies with R&TTE Directive 1999/5/EC.
- Dispose of used batteries properly.
- DO NOT dispose of batteries in fire, as batteries may explode or leak.
- DO NOT recharge non-rechargeable batteries.
- DO NOT short-circuit the supply terminals.
- Remove batteries if flat, or before storing your Archon Speed for an extended period of time.
- Always remove weak, old, or worn-out batteries and recycle or dispose of them in accordance with Local and National disposal regulations.
- Caution: Risk of explosion if replaced by an incorrect battery type. Use and replace only with correct size and type of battery.

5. Specification

Feature	
Model	BM-01
Color	White
Battery	CR2032 x 1
Battery Life	Approximately 500 hours
Operation Temperature	-10°C to 50°C
Water Resistant	Splash Proof

6. Frequently Asked Questions and Answers

Q: Why connection to the Archon Speed has failed?

A: Please check if your mobile phone and operating system fall within the range of compatibility (see point 2). Connection may sometimes fail due to mobile phone operation. Please turn off connection and turn on again. Alternatively, switch the phone on and off again. Retry connection.

7. Warranty

We offer 1 year warranty service on Archon Speed Bike Meter from the date of purchase. Please present product with proof of purchase to us or authorized distributors. For details please refer to Archon website www.archon.com.hk

8. What is not included in Limited Warranty?

- Aesthetic damage where it does not affect the operation or safety of the product.
- Repair costs that have not been approved.
- Damage or breakdown due to flood, wind or other severe weather conditions.
- Damage or breakdown due to fire or any natural disaster.
- The cost of repairing or replacing a product which fails because anyone neglects, abuses or misuses the product.
- The cost of repairing or replacing a product which has been exposed to insect infestation (or similar phenomenon), human or animal fluid/matter.
- Software or data.
- Cost of Data Recovery



The symbol on the product or its packaging indicates that this product must not be disposed of with your other household waste. Instead, it is your responsibility to dispose of your waste equipment by handing it over to a designated collection point for the recycling of waste electrical and electronic equipment. The separate

collection and recycling of your waste equipment at the time of disposal will help conserve natural resources and ensure that it is recycled in a manner that protects human health and the environment.

For more information about where you can drop off your waste for recycling, please contact your local authority, or where you purchased your product.

Designed by:

Millennium Pacific Concept Limited

www.archon.com.hk / info@archon.com.hk

HONG KONG

www.archon.com.hk / info@archon.com.hk

INTERNATIONAL

www.archonglobal.net / info@archonglobal.net

CHINA

www.archonglobal.cn / info@archonglobal.cn

Made in China

Version: BM-01 V01